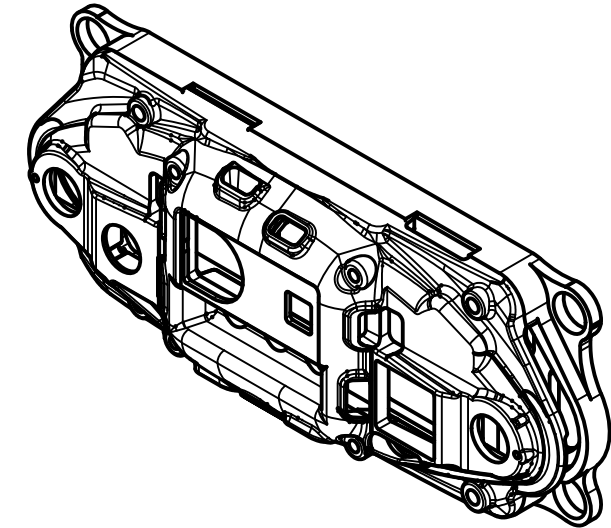
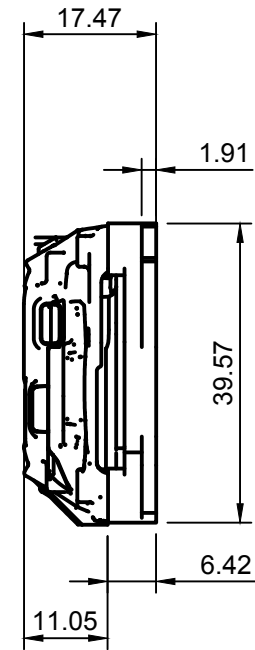
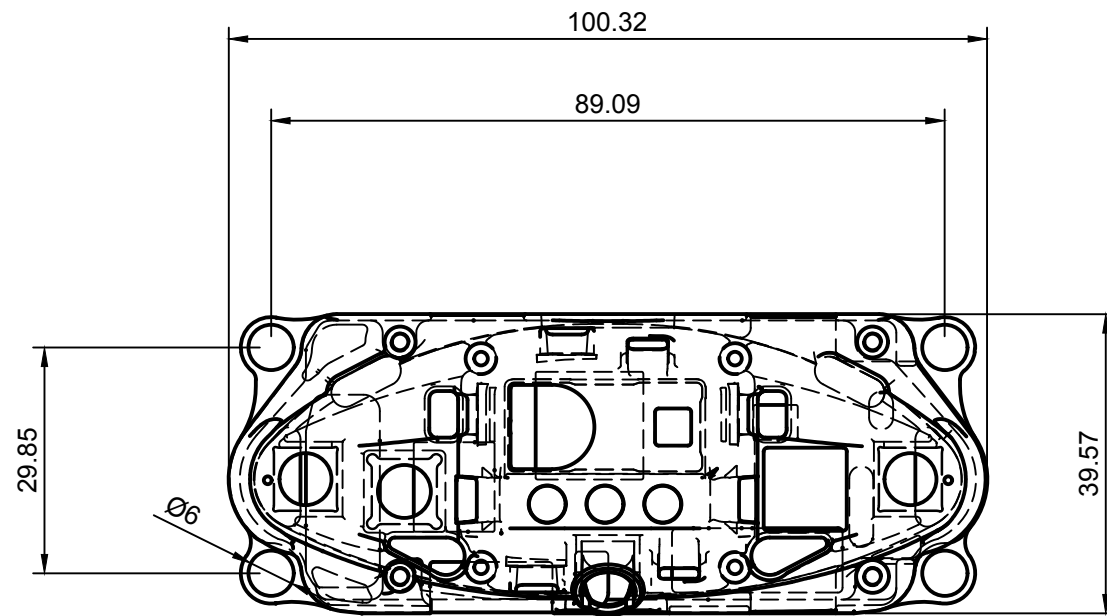



Weight
57.5g



Dept.	Technical reference	Created by Aaron Blue	9/20/21	Approved by
		Document type	Document status	
		Title MCM-C0001-00-C7	DWG No. DWG-C0001-00-C7	
		Rev.	Date of issue	Sheet 1/1

Scale 1:1