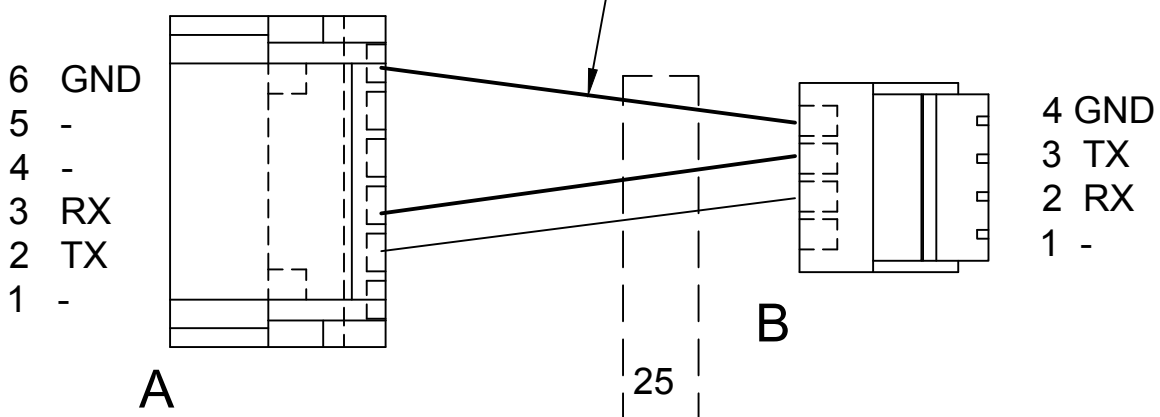
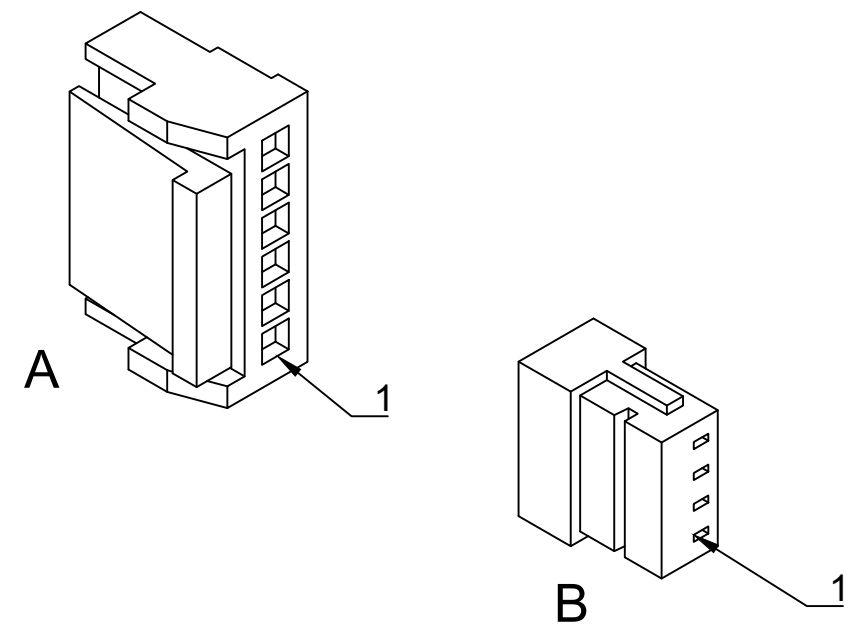


Pinout			Wire Specification	
<b>A</b>	<b>B</b>	<b>Color</b>	Length	100mm
-	-	-	Insulator	Silicon
2	2	Green	Color	See Pinout Table
3	3	Yellow	Guage	26 AWG
-	-	-		
-	-	-		
6	4	Black		



Label Specification	
Text	25
Text Color	Black
Label Color	Silver
Label Height	< 1 cm
Label Width	< 3 cm



Parts List		
Connector	MPN	Description
A	GHR-06V-S	CONN 6POS 1.00MM JST
B	SHR-04V-S	CONN 4POS 1.00MM JST

Dept.	Technical reference	Created by <b>Aaron Blue</b>	3/8/21	Approved by
		Document type	Document status <b>Internal Approval</b>	
		Title <b>MCBL-00025-1</b> LTE v2 to Flight Core Telemetry Cable	DWG No.	
		Rev.	Date of issue	Sheet <b>1/1</b>