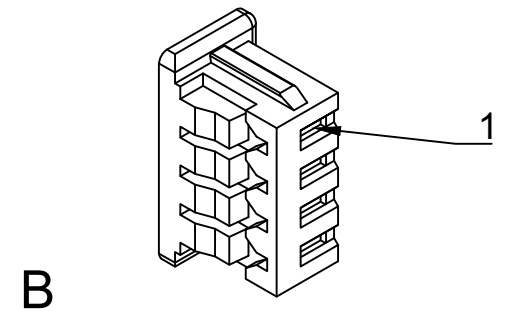
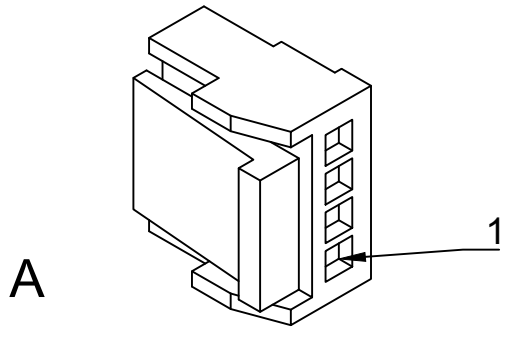
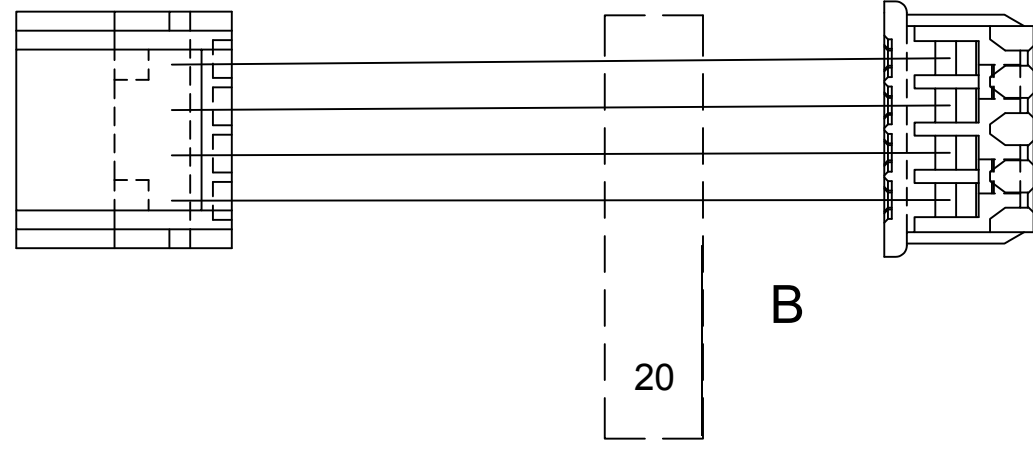


1		2		3		4		5		6		7		8	
Pinout				Wire Specification											
A		B		Length		100mm		Insulator		Silicon		Color		Black	
1		1		Color		Black		Guage		26 AWG		1		V_BUS	
2		2		2		DATA_M		3		DATA_P		3		GND	
3		3		4		GND		4		GND		4		GND	

- 1 V_BUS
- 2 DATA_M
- 3 DATA_P
- 4 GND

- 1 V_BUS
- 2 DATA_M
- 3 DATA_P
- 4 GND



Label Specification	
Text	20
Text Color	Black
Label Color	Silver
Label Height	< 1 cm
Label Width	< 3 cm

Parts List		
Connector	MPN	DESCRIPTION
A	510210400	CONN 4POS 1.25MM PICOBLADE
B	GHR-04V-S	CONN 4POS 1.25MM JST

Dept.	Technical reference	Created by Aaron Blue	3/22/21	Approved by
		Document type	Document status	
		Title MCBL-00020-1 USB Cable, Arducam	DWG No.	
Rev.	Date of issue	Sheet		1/1